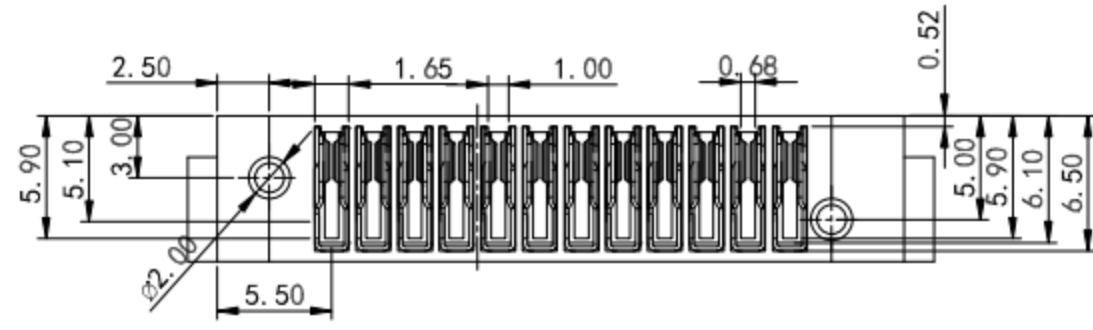
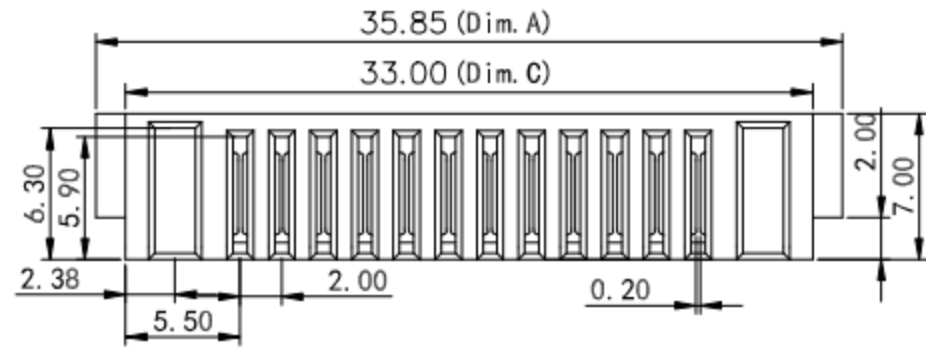
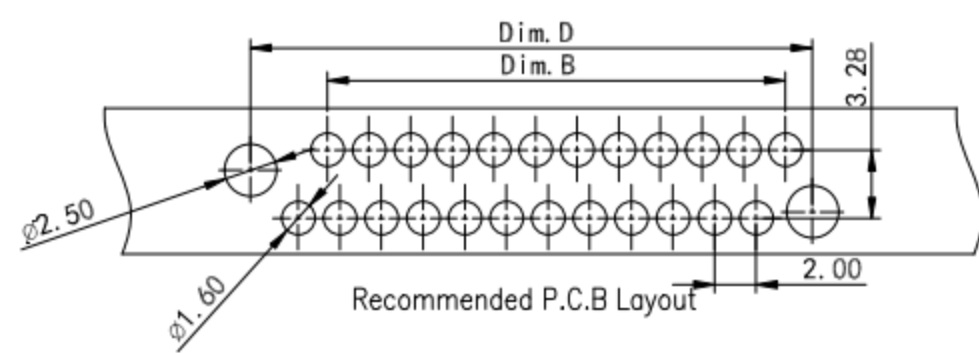
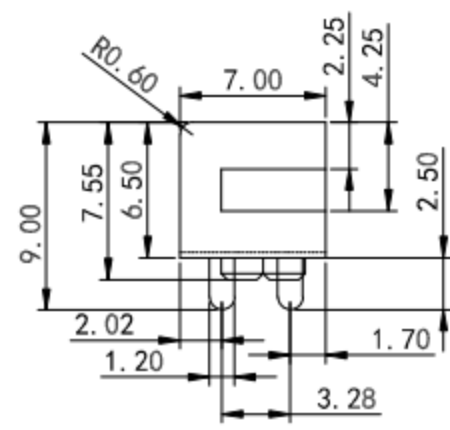
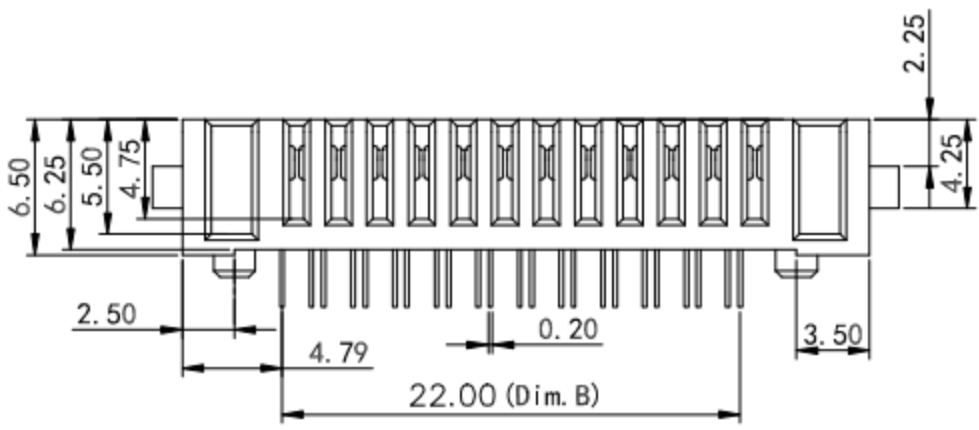


REV.	ECN NO.	DESCRIPTION	DESIGN	DATE
A		INITIAL	Kai	2018.03.29



No. of Pins	Dimension			
	DIM.A	DIM.B	DIM.C	DIM.D
4	19.85	17.00	6.00	11.00
5	21.85	19.00	8.00	13.00
6	23.85	21.00	10.00	15.00
7	25.85	23.00	12.00	17.00
8	27.85	25.00	14.00	19.00
9	29.85	27.00	16.00	21.00
10	31.85	29.00	18.00	23.00
11	33.85	31.00	20.00	25.00
12	33.85	33.00	22.00	27.00



NOTE:
Material
Insulator: Nylon 9T(UL94V-0)
Contact: phosphor Bronze
Contact Plated: Gold over Nickel or Tin
Specification
Rated voltage: 12V 30V
Current rating: 5A 10A
instant CURRENT: 12A
Contact Resistance: 30MΩ
Insulation Resistance: 100MΩ
Dielectric Voltage: 1000V
Operating Temperature: -40°~105°

UNLESS OTHERWISE SPECIFIED TOLERANCES				东莞市高迪电子有限公司			
DECIMALS:		ANGLES:					
DIM	TOL	DIM	TOL	DESIGN:	PART NO.		
X.	±0.50	X.	±2°	CHECK:	REV. UNIT: SHEET:		
X.X	±0.30	X.X	±1°	APPROVED	A	mm 1/1	
X.XX	±0.20	X.XX					
X.XXX	±0.10	X.XXX					

ITEM	PART NAME	Q'TY	MATERIAL	DESCRIPTION	REMARK
②	HOUSING	1	LCP		BLACK
①	CONTACT A	2	PHOSPHOR BRONZE 0.20T	Au PLATED	